



Manual Marking Product Directory

World leading solutions for
industrial marking, product
identification and traceability

pryormarking.com

PRYOR

PP125C

Single Pryor Pun. 12.5mm (C)



PP1
Sing

Interchangeable Steel Type

Indent multi-character inscriptions

Interchangeable
Steel Type



- » Mark a range of materials up to a maximum hardness of 38 Rockwell C
- » Arrange letters and numbers in a holder to indent a multi-character inscription quickly and easily
- » Sharp-faced and low-stress engraving styles available
- » Hardened and tempered to precise limits, nickel plated for rust protection thus giving maximum safety in use and long product life

The Range

Pryor Type
Imperial Type
Euro Type

Number Marking Kit
Alphanumeric Fount Set
Character Packs & Sets

Low-Stress Type
Cyrillic Type
Scandinavian Type
Hand Holders
Press Holders

Interchangeable Steel Type

Interchangeable marking tool for multi-character marking by hand and hammer or Impact Press

- 3 Steel Type brands available
- Sharp faced or low stress engraving styles
- Latin, Scandinavian and Cyrillic characters
- Ready to use number or alphanumeric marking sets, spares and extras available
- Range of Hand and Hammer or Press Holders for multi-character marking

The simple solution for multi-character marking using Hand Holders or Press Holders - simply build an inscription into the Holder slot and in just one hammer stroke, a series of letters and figures can be indented with uniform legibility.

Safety Grips are available as an accessory to work with Hand Holders, allowing the user to make a controlled and confident strike by keeping the fingers at a safe distance, reducing the risk of injury and assisting in making a good quality mark

Interchangeable Steel Type is available in 3 brands: Pryor, Imperial and Euro, each with a unique blank size and the option of a Euro character style.

Available Character Styles

Pryor or Imperial

A B C D E F G H I J
 K L M N O P Q R S T
 U V W X Y Z
 1 2 3 4 5 6 7 8 9 0

Euro

A B C D E F G H I J
 K L M N O P Q R S T
 U V W X Y Z
 1 2 3 4 5 6 7 8 9 0

Hand and Hammer Holders

Press Holders

Numbers, letters and punctuation , . / -

Standard sharp faced or low stress engraving styles available



54 Piece Number Marking Kit

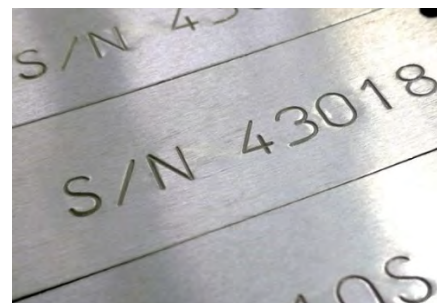
Complete kit for marking dates, numbers and codes up to a maximum hardness of 38 Rockwell C

- Apply dates, serial numbers, batch numbers or part codes to components and products
- Sharp faced engraving style
- Complete kit in carry case with hand and hammer Type Holder
- 4 Character heights available

Character height		Kit Code	Holder Capacity	Maximum length of marked inscription
mm	inch			
1.50	1/16	TPNMK015	12 characters	20mm
3.00	1/8	TPNMK030	9 characters	29mm
4.00	5/32	TPNMK040	9 characters	39mm
5.00	3/16	TPNMK050	8 characters	39mm

Set Comprises:

0 1 2 3 4 5 6 7 8 9	4 each	/	2 each
B N P S - . Single row Hand Holder and Allen Wrench	1 each	Spacer pieces for non-marking positions	4 each



COMPATIBLE ACCESSORIES

Economy Safety Grip

Page ref.

P43

Description

For use with all Pryor Punches and 1mm – 5mm Type Hand Holders


Alphanumeric Pryor Fount Set

Complete set for marking numbers and letters with hand and hammer

- Apply multi-character letter and number inscriptions to components and products up to a maximum hardness of 38 Rockwell C
- Sharp faced engraving style
- 9 Character heights available

Character height		Fount Set with Holder	Holder Capacity Hand and Hammer Use	Fount Set without Holder
mm	inch			
1.00	0.040	TPFH010	12 characters	TPF010
1.50	1/16	TPFH015	12 characters	TPF015
2.00	5/64	TPFH020	14 characters	TPF020
2.50	3/32	TPFH025	12 characters	TPF025
3.00	1/8	TPFH030	9 characters	TPF030
4.00	5/32	TPFH040	9 characters	TPF040
5.00	3/16	TPFH050	8 characters	TPF050
6.00	1/4	TPFH060	6 characters	TPF060
10.00	3/8	TPFH100	6 characters	TPF100

Set Comprises:

Q V Y Z &	1 each	
B C D F G H J K M P T W X / - . ,	2 each	
A I L N O R S U 3 5 6 7 8 9 0	3 each	
E 1 2 4	4 each	
Spacer pieces for non-marking positions	12 each (1.0mm – 3.0mm set) 6 each (4.0mm – 10mm set)	
Single row Hand Holder & Allen Wrench	1 each	

COMPATIBLE ACCESSORIES

Economy Safety Grip

Page ref.

P43

Description

For use with all Pryor Punches and 1mm – 5mm Type Hand Holders

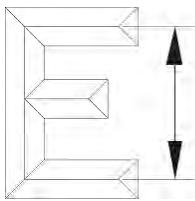
Product Code

GRIP0004

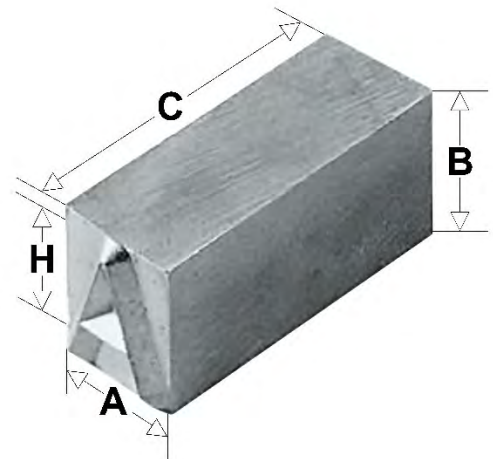
Pryor Type - dimensions

Character height		Blank size					
(H)		Length (C)		North/South (B)		East/West (A)	
mm	inch	mm	inch	mm	inch	mm	inch
1.00	0.040	15.87	5/8	3.20	1/8	1.60	1/16
1.50	1/16	15.87	5/8	3.20	1/8	1.60	1/16
2.00	5/64	19.05	3/4	6.40	1/4	2.00	5/64
2.50	3/32	19.05	3/4	6.40	1/4	2.50	3/32
3.00	1/8	19.05	3/4	6.40	1/4	3.20	1/8
4.00	5/32	19.05	3/4	8.00	5/16	4.00	5/32
5.00	3/16	19.05	3/4	8.00	5/16	4.80	3/16
6.00	1/4	19.05	3/4	9.50	3/8	6.40	1/4
10.00	3/8	25.40	1	16.00	5/8	9.50	3/8

How to measure the Pryor Type blank:



Always take the character size measurement from the "crown" of the character.



Dimension A = blank width also known as East/West

Dimension B = blank height also known as North/South

Dimension C = blank length which includes engraved character

Dimension H = character height measured from character "crown"

Alphanumeric Fount Set Packaging



Pictured, from left to right:

- 10mm Fount Set
- 6mm Fount Set
- 1 – 5mm Fount Set

Pryor Type Spares

Additions/Replacements

- Additional or replacement parts for Pryor Interchangeable Type
- Numbers, letters, punctuation and blank spacers (supplied in a zip-bag)
- Hand Holders available (supplied in a carton)

Pryor Type - sharp faced characters to indent a positive impression

Character height		Single Characters	Sets of 26 Letters	Sets of 10 Figures	Blank Spacers for non-marking positions
mm	inch				
1.00	0.040	TP010(char)	TP26010	TP10010	SP015
1.50	1/16	TP015(char)	TP26015	TP10015	SP015
2.00	5/64	TP020(char)	TP26020	TP10020	SP020
2.50	3/32	TP025(char)	TP26025	TP10025	SP025
3.00	1/8	TP030(char)	TP26030	TP10030	SP030
4.00	5/32	TP040(char)	TP26040	TP10040	SP040
5.00	3/16	TP050(char)	TP26050	TP10050	SP050
6.00	1/4	TP060(char)	TP26060	TP10060	SP060
10.00	3/8	TP100(char)	TP26100	TP10100	SP100

Hand Holders for Pryor Type

Character height		Compatible Hand Holder	Character Capacity	Compatible Hand Holder	Character Capacity
mm	inch				
1.00	0.040	H3.2-20	12	-	-
1.50	1/16	H3.2-20	12	-	-
2.00	5/64	H6.35-29	14	H6.35-39	19
2.50	3/32	H6.35-29	12	H6.35-39	16
3.00	1/8	H6.35-29	9	H6.35-39	12
4.00	5/32	H8.0-39	9	-	-
5.00	3/16	H8.0-39	8	-	-
6.00	1/4	H9.6-40	6	-	-
10.00	3/8	H16-57	6	-	-


Alphanumeric Imperial Fount Set

Complete set for marking numbers and letters with hand and hammer

- Apply multi-character letter and number inscriptions to components and products up to a maximum hardness of 38 Rockwell C
- Sharp faced engraving style
- 9 Character heights available

Character height		Fount Set with Holder	Holder Capacity Hand and Hammer Use	Fount Set without Holder
mm	inch			
1.00	0.040	TIFH010	18 characters	TIF010
1.50	1/16	TIFH015	18 characters	TIF015
2.00	5/64	TIFH020	15 characters	TIF020
2.50	3/32	TIFH025	12 characters	TIF025
3.00	1/8	TIFH030	9 characters	TIF030
4.00	5/32	TIFH040	9 characters	TIF040
5.00	3/16	TIFH050	8 characters	TIF050
6.00	1/4	TIFH060	6 characters	TIF060
10.00	3/8	TIFH100	6 characters	TIF100

Set Comprises:

Q V Y Z &	1 each	
B C D F G H J K M P T W X / - . ,	2 each	
A I L N O R S U 3 5 6 7 8 9 0	3 each	
E 1 2 4	4 each	
Spacer pieces for non-marking positions	12 each (1.0mm - 3.0mm set) 6 each (4.0mm - 10mm set)	
Single row Hand Holder & Allen Wrench	1 each	

COMPATIBLE ACCESSORIES

Economy Safety Grip

Page ref.

P43

Description

For use with all Pryor Punches and 1mm - 5mm Type Hand Holders

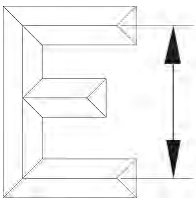
Product Code

GRIP0004

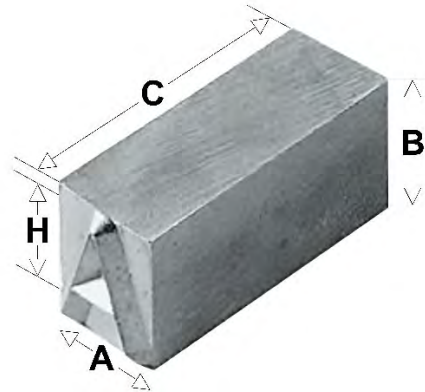
Imperial Type - dimensions

Character height		Blank size					
(H)		Length (C)		North/South (B)		East/West (A)	
mm	inch	mm	inch	mm	inch	mm	inch
1.00	0.040	22.20	7/8	6.40	1/4	1.60	1/16
1.50	1/16	22.20	7/8	6.40	1/4	1.60	1/16
2.00	5/64	22.20	7/8	6.40	1/4	2.00	5/64
2.50	3/32	22.20	7/8	6.40	1/4	2.50	3/32
3.00	1/8	22.20	7/8	6.40	1/4	3.20	1/8
4.00	5/32	22.20	7/8	6.40	1/4	4.00	5/32
5.00	3/16	22.20	7/8	6.40	1/4	4.80	3/16
6.00	1/4	19.05	3/4	9.50	3/8	6.40	1/4
10.00	3/8	25.40	1	16.00	5/8	9.50	3/8

How to measure the Imperial Type blank:



Always take the character size measurement from the "crown" of the character.



Dimension A = blank width also known as East/West

Dimension B = blank height also known as North/South

Dimension C = blank length which includes the engraved character

Dimension H = character height measured from character "crown"

Alphanumeric Fount Set Packaging



Pictured, from left to right:

- 10mm Fount Set
- 6mm Fount Set
- 1 – 5mm Fount Set

Imperial Type Spares

Additions/Replacements

- Additional or replacement parts for Imperial Interchangeable Type
- Numbers, letters, punctuation and blank spacers (supplied in a zip-bag)
- Hand Holders available (supplied in a carton)

Imperial Type - sharp faced characters to indent a positive impression

Character height		Single Characters	Sets of 26 Letters	Sets of 10 Figures	Blank Spacers for non-marking positions	Compatible Hand Holder
mm	inch					
1.00	0.040	TI010(char)	TI26010	TI10010	SI015	H6.35-29
1.50	1/16	TI015(char)	TI26015	TI10015	SI015	H6.35-29
2.00	5/64	TI020(char)	TI26020	TI10020	SI020	H6.35-29
2.50	3/32	TI025(char)	TI26025	TI10025	SI025	H6.35-29
3.00	1/8	TI030(char)	TI26030	TI10030	SI030	H6.35-29
4.00	5/32	TI040(char)	TI26040	TI10040	SI040	H6.35-39
5.00	3/16	TI050(char)	TI26050	TI10050	SI050	H6.35-39
6.00	1/4	TI060(char)	TI26060	TI10060	SI060	H9.6-40
10.00	3/8	TI100(char)	TI26100	TI10100	SI100	H16-57

Hand Holders for Imperial Type

Character height		Compatible Hand Holder	Character Capacity	Compatible Hand Holder	Character Capacity
mm	inch				
1.00	0.040	H6.35-29	18	H6.35-39	24
1.50	1/16	H6.35-29	18	H6.35-39	24
2.00	5/64	H6.35-29	15	H6.35-39	18
2.50	3/32	H6.35-29	12	H6.35-39	16
3.00	1/8	H6.35-29	9	H6.35-39	12
4.00	5/32	H6.35-29	7	H6.35-39	9
5.00	3/16	H6.35-29	6	H6.35-39	8
6.00	1/4	H9.6-40	6	-	-
10.00	3/8	H16-57	6	-	-


Alphanumeric Euro Fount Set

Complete set for marking numbers and letters with hand and hammer

- Apply multi-character letter and number inscriptions to components and products up to a maximum hardness of 38 Rockwell C
- Sharp faced engraving style
- 7 Character heights available

Character height		Fount Set with Holder	Holder Capacity Hand and Hammer Use	Fount Set without Holder
mm	inch			
1.00	0.040	TEFH010	19 characters	TEF010
1.50	1/16	TEFH015	19 characters	TEF015
2.00	5/64	TEFH020	14 characters	TEF020
2.50	3/32	TEFH025	15 characters	TEF025
3.00	1/8	TEFH030	13 characters	TEF030
4.00	5/32	TEFH040	10 characters	TEF040
5.00	3/16	TEFH050	8 characters	TEF050

Set Comprises:

Q Y Z	1 each	
B C D F G H J K M P T V W X / - . ,	2 each	
A I L N O R S U 3 5 6 7 8 9 0	3 each	
E 1 2 4	4 each	
Spacer pieces for non-marking positions	12 each (1.0mm - 3.0mm set) 6 each (4.0mm - 10mm set)	
Single row Hand Holder & Allen Wrench	1 each	

COMPATIBLE ACCESSORIES

Page ref.

Description

Product Code

Economy Safety Grip

P43

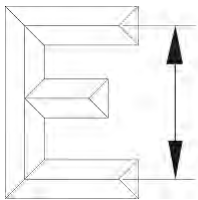
For use with all Pryor Punches and 1mm - 5mm Type Hand Holders

GRIP0004

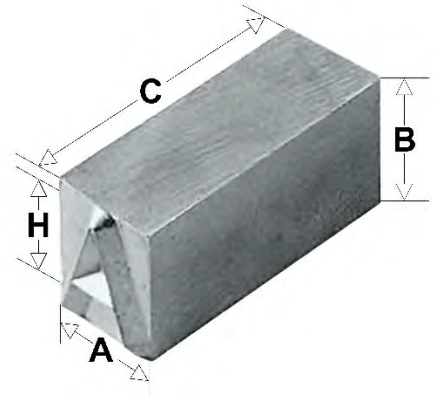
Euro Type - dimensions

Character height		Blank size					
(H)		Length (C)		North/South (B)		East/West (A)	
mm	inch	mm	inch	mm	inch	mm	inch
1.00	0.040	19.00	3/4	4.00	5/32	1.50	1/16
1.50	1/16	19.00	3/4	4.00	5/32	1.50	1/16
2.00	5/64	19.00	3/4	4.00	5/32	2.00	5/64
2.50	3/32	19.00	3/4	6.00	1/4	2.50	3/32
3.00	1/8	19.00	3/4	6.00	1/4	3.00	1/8
4.00	5/32	19.00	3/4	8.00	5/16	4.00	5/32
5.00	3/16	19.00	3/4	8.00	5/16	5.00	3/16

How to measure the Euro Type blank:



Always take the character size measurement from the "crown" of the character.



- Dimension A = blank width also known as East/West
- Dimension B = blank height also known as North/South
- Dimension C = blank length which includes the engraved character
- Dimension H = character height measured from character "crown"

Alphanumeric Fount Set Packaging



Pictured left:

- 1 – 5mm Fount Set

Euro Type Spares

Additions/Replacements

- Additional or replacement parts for Euro Interchangeable Type
- Numbers, letters, punctuation and blank spacers (supplied in a zip-bag)
- Hand Holders available (supplied in a carton)

Euro Type - sharp faced characters to indent a positive impression

Character height		Single Characters	Sets of 26 Letters	Sets of 10 Figures	Blank Spacers for non-marking positions	Compatible Hand Holder
mm	inch					
1.00	0.040	TE010(char)	TE26010	TE10010	SE015	HM40029
1.50	1/16	TE015(char)	TE26015	TE10015	SE015	HM40029
2.00	5/64	TE020(char)	TE26020	TE10020	SE020	HM40029
2.50	3/32	TE025(char)	TE26025	TE10025	SE025	HM60039
3.00	1/8	TE030(char)	TE26030	TE10030	SE030	HM60039
4.00	5/32	TE040(char)	TE26040	TE10040	SE040	HM80040
5.00	3/16	TE050(char)	TE26050	TE10050	SE050	HM40040

Hand Holders for Euro Type

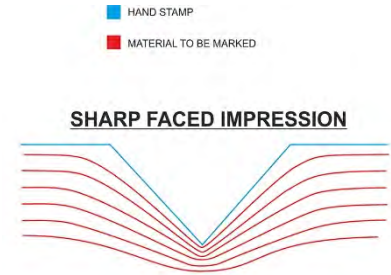
Character height		Compatible Hand Holder	Character Capacity	Compatible Hand Holder	Character Capacity
mm	inch				
1.00	0.040	HM40039	19	HM80040	2 rows of 26
1.50	1/16	HM40039	19	HM80040	2 rows of 26
2.00	5/64	HM40039	14	HM80040	2 rows of 20
2.50	3/32	HM60039	15	HM60039	15
3.00	1/8	HM60039	13	HM60039	13
4.00	5/32	HM80040	10	-	-
5.00	3/16	HM80040	8	-	-

Low Stress Steel Type

Two styles of low stress engraving for marking materials up to a maximum hardness of 38 Rockwell C

- Steel Type for use in applications which dictate that lower stress levels are introduced into the component being marked
- Popular requirement for Aerospace, Nuclear, Oil and Gas installations and Defence work
- Two styles of Low Stress engraving available

Ministress - round faced character which gives a low stress, continuous line character when marked.



Dotstress - for even greater reduced stress levels, a character with similar nose formation to Ministress but with the added benefit of impressing the character in dot formation.



Character height		Font Set with Holder	Holder Capacity Hand and Hammer Use	Font Set without Holder
mm	inch			
Ministress				
3.00	1/8	TIMSFH03	8	TIMSF03
5.00	3/16	TPMSFH05	6	TPMSF05
Dotstress				
3.00	1/8	TIDSFH03	8	TIDSF03
5.00	3/16	TPDSFH05	6	TPDSF05

Character height		Single Characters	Set of 26 Letters	Set of 10 Figures	Blank Spacers for non-marking positions	Compatible Hand Holder
mm	inch					
Ministress						
3.00	1/8	TIMS030(char)	TIMS2603	TIMS1003	SP050	H6.35-39
5.00	3/16	TPMS050(char)	TPMS2605	TPMS1005	SP060	H9.6-40
Dotstress						
3.00	1/8	TIDS030(char)	TIDS2603	TIDS1003	SP050	H6.35-39
5.00	3/16	TPDS050(char)	TPDS2605	TPDS1005	SP060	H9.6-40

Cyrillic Steel Type

Cyrillic characters for marking materials up to a maximum hardness of 38 Rockwell C

- Apply multi-character Cyrillic letter inscriptions to components and products
- Sharp faced engraving style
- Fount Set supplied in compact plastic case for easy storage
- 3 Character heights available

Character height		Single Latin & Number Type Characters		Single Cyrillic Type Characters	
mm	inch	Blank Size	Code	Blank Size	Code
2.00	5/64	2.00 x 6.35 x 22.20mm	TI020(char)	2.00 x 6.35 x 22.20mm	TRUS020 (number)
				2.40 x 6.35 x 22.20mm	
3.00	1/8	3.20 x 6.35 x 22.20mm	TI030(char)	3.20 x 6.35 x 22.20mm	TRUS030 (number)
				4.00 x 6.35 x 22.20mm	
4.00	5/32	4.00 x 6.35 x 22.20mm	TI040(char)	4.00 x 6.35 x 22.20mm	TRUS040 (number)
				4.80 x 6.35 x 22.20mm	

Character height		Fount Set with Holder		Fount Set without Holder		Blank Spacers for non-marking positions
mm	inch	Set Code	Holder	Set Code		
2.00	5/64	TIFHRUS020	H635029	TIFRUS020		SI020
3.00	1/8	TIFHRUS030	H635029	TIFRUS030		SI030
4.00	5/32	TIFHRUS040	H635039	TIFRUS040		SI040

Qty	Character	Description	Qty	Character	Description
3	A	Single Imperial Type (A)	1	Ш	Single Cyrillic Type No. 33
2	Б	Single Cyrillic Type No. 11	1	Щ	Single Cyrillic Type No. 34
2	B	Single Imperial Type (B)	1	Ы	Single Cyrillic Type No. 35
2	Г	Single Cyrillic Type No. 13	1	Ь	Single Cyrillic Type No. 36
2	Д	Single Cyrillic Type No. 14	1	Э	Single Cyrillic Type No. 37
3	E	Single Imperial Type (E)	2	Ю	Single Cyrillic Type No. 38
1	Ж	Single Cyrillic Type No. 16	2	Я	Single Cyrillic Type No. 39
2	З	Single Cyrillic Type No. 17	2	Comma (,)	Single Imperial Type (,)
3	И	Single Cyrillic Type No. 18	2	Hyphen (-)	Single Imperial Type (-)
2	К	Single Cyrillic Type No. 19	2	F.stop (.)	Single Imperial Type (.)
2	Л	Single Cyrillic Type No. 20	2	Oblique (/)	Single Imperial Type (/)
3	M	Single Imperial Type (M)	3	1	Single Imperial Type (1)
3	H	Single Imperial Type (H)	3	2	Single Imperial Type (2)
3	O	Single Imperial Type (O)	3	3	Single Imperial Type (3)
2	П	Single Cyrillic Type No. 24	3	4	Single Imperial Type (4)
2	P	Single Imperial Type (P)	3	5	Single Imperial Type (5)
3	C	Single Imperial Type (C)	3	6	Single Imperial Type (6)
3	T	Single Imperial Type (T)	3	7	Single Imperial Type (7)
2	У	Single Cyrillic Type No. 28	3	8	Single Imperial Type (8)
2	Ф	Single Cyrillic Type No. 29	3	9	Single Imperial Type (9)
2	X	Single Imperial Type (X)	5	0	Single Imperial Type (0)
1	Ц	Single Cyrillic Type No. 31			
1	Ч	Single Cyrillic Type No. 32	8	Spacer Pieces	Imperial Spacers

Scandinavian Steel Type

Swedish, Finnish, Norwegian and Danish characters for marking materials up to a maximum hardness of 38 Rockwell C

- Apply multi-character Scandinavian inscriptions to components and products
- Sharp faced engraving style
- 9 Character heights available
- 4 languages available Swedish, Finnish, Norwegian and Danish

Character height		Single Characters	Font Set with Holder (Finnish/Swedish)	Font Set with Holder (Danish/Norwegian)	Blank Spacers for non-marking positions	Compatible Hand Holder
mm	inch					
1.00	.040	TP010 (char)	TPFHFS010	TPFHND010	SP015	H3.2-20
1.50	1/16	TP015 (char)	TPFHFS015	TPFHND015	SP015	H3.2-20
2.00	5/64	TP020 (char)	TPFHFS020	TPFHND020	SP020	H6.35-29
2.50	3/32	TP025 (char)	TPFHFS025	TPFHND025	SP025	H6.35-29
3.00	1/8	TP030 (char)	TPFHFS030	TPFHND030	SP030	H6.35-29
4.00	5/32	TP040 (char)	TPFHFS040	TPFHND040	SP040	H8.0-39
5.00	3/16	TP050 (char)	TPFHFS050	TPFHND050	SP050	H8.0-39
6.00	1/4	TP060 (char)	TPFHFS060	TPFHND060	SP060	H9.6-40
10.00	3/8	TP100 (char)	TPFHFS100	TPFHND100	SP100	H16-57

Scandinavian Character	Character ID	Product Code
Ä	?	TPO(character height in mm) ?
Ö	%	TPO(character height in mm) %
Å	\$	TPO(character height in mm) \$
Æ	@	TPO(character height in mm) @
Ø	*	TPO(character height in mm) *



COMPATIBLE ACCESSORIES	Page ref.	Description	Product Code
Economy Safety Grip	P43	For use with all Pryor Punches and 1mm – 5mm Type Hand Holders	GRIP0004

Hand Holders

For use with Interchangeable Steel Type to mark a multi-character inscription with one hammer strike

- For use with Interchangeable Steel Type
- Hand and Hammer use only
- Steel Type is secured in place by means of a grub screw (Allen key supplied)
- Holders have different slot sizes for each Steel Type size and brand

Hand Holder Compatibility & Capacity Chart

	Character Height								
	1.0mm	1.5mm	2.0mm	2.5mm	3.0mm	4.0mm	5.0mm	6.0mm	10.0mm
Holder Code	Hand Holder Capacity (Type pieces/hand holder)								
H3.2-20 Pryor Type	12	12							
H6.35-29 Pryor Type			14	12	9				
H6.35-29 Imperial Type	18	18	15	12	9	7	6		
H6.35-39 Pryor Type			19	16	12				
H6.35-39 Imperial Type	24	24	18	16	12	9	8		
H8.0-39 Pryor Type						9	8		
H9.6-40 Pryor Type							6	6	
H9.6-40 Imperial Type								6	
H16-57 Pryor Type									6
H16-57 Imperial Type									6
HM40039 Euro Type	19	19	14						
HM60039 Euro Type				15	13				
HM80040 Euro Type	2 rows 26	2 rows 26	2 rows 20				10	8	

Low-Stress Type Hand Holders

	1.0mm	1.5mm	2.0mm	2.5mm	3.0mm	4.0mm	5.0mm	6.0mm	10.0mm
Holder Code	Hand Holder Capacity (Type pieces/hand holder)								
H6.35-39 Ministress					8				
H6.35-39 Dotstress					8				
H9.6-40 Ministress							6		
H9.6-40 Dotstress							6		

Press Holders

For use with Interchangeable Steel Type to mark a multi-character inscription using an Impact Press

- For use with Interchangeable Steel Type
- Impact Press / Machine marking use only
- Steel Type is secured in place by means of a grub screw (Allen wrench supplied)



Press Holders and Shanks for use with Interchangeable Steel Type are available for Press marking to allow faster throughput.

Press Holders are for use with Pryor Press Shanks, see options page 51.

Press Holders can be used with an Impact Press, see options page 47.

Steel Type Press Holder Compatibility & Capacity Chart

	Character Height								
	1.0mm	1.5mm	2.0mm	2.5mm	3.0mm	4.0mm	5.0mm	6.0mm	10.0mm
Holder Code	Press Holder Capacity (Type pieces/hand holder)								
HPH040 Pryor (M12)	24	24							
HPH060 Pryor (M12)			30	25	18				
HPH050 Pryor (M12)						12	10		
10043437 Pryor (M12)			14	12	9				
10043440 Pryor (M12)			19	16	12				
C02012Q Pryor (M12)			35	28	21				
C02012R Pryor (M12)			2 rows 19	2 rows 16	2 rows 12				
10045176 Pryor (M12)								6	
10046099 Pryor (M16)									6
10045172	Retaining Pin		For use with 10045176 (9.6-40)						
10046086	Retaining Pin		For use with 10046099 (16-57)						

Contact Us

UK - Pryor Marking Technology (global headquarters)

Website: www.pryormarking.com

Address: Pryor Marking Technology, Egerton Street, Sheffield, S1 4JX, UK

Phone: +44 (0) 114 2766044

Email: info@pryormarking.com

USA - Pryor Technology Inc. was established in 2017 in order to provide our long established North American customer base with improved delivery times and customer service. Located in Richmond, Virginia the North American head office and warehouse serve the whole market with all products.

Website: www.pryortechnology.com

Address: Pryor Technology Inc., 303A Ashcake Road, Ashland, VA 23005, USA

Phone: +1 (804) 496-6669

Email: sales@pryortechnology.com

France - Pryor Technologie S.A.S (formerly Mecagrav Industrie) is a historic French brand synonymous with high quality industrial marking and engraving. In 1989 Mecagrav, still run from its Paris headquarters, became a wholly owned member of the Pryor Group. Rebranded in 2017 as Pryor Technologie it supports the full range of Pryor products.

Website: www.pryortechnologie.fr

Address: Pryor Technologie, 6, avenue de norvège, 91140 Villebon-sur-Yvette, B.P.48, France

Phone: +33 (0)1 69 28 50 45

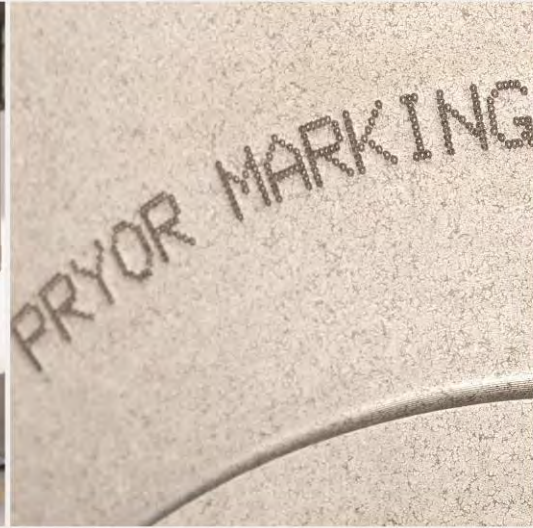
Email: info@pryortechnologie.fr

Global Distribution

Pryor is a truly global corporation. From its historic headquarters in Sheffield, UK it manages subsidiaries, joint ventures and distribution partners on 5 continents and in over 60 countries around the world.

To find your local distributor please contact Pryor UK.



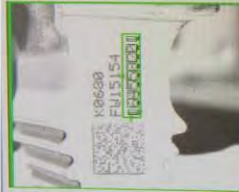


Report Viewer

Optical Character Recognition/Verification Report

Result: OCV PASS

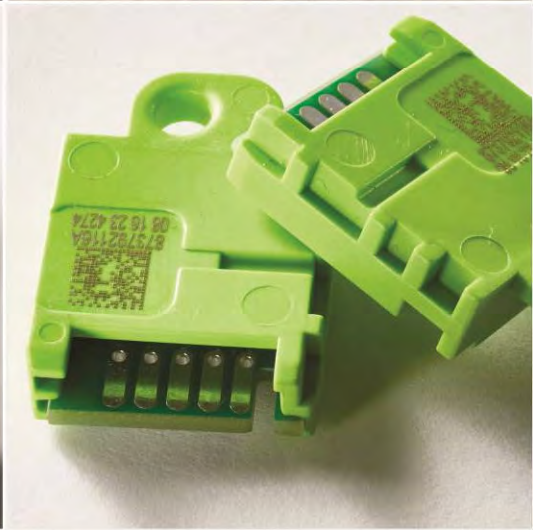
Content: 164558201



Prime Char	Score (%)	Result	Confusion Char	Score (%)
1	100	Pass	7	0
6	98	Pass	8	59
4	99	Pass	6	39
5	99	Pass	6	47
5	99	Pass	8	48
8	99	Pass	0	68
2	100	Pass	8	5
0	100	Pass	8	67
1	98	Pass	7	0

Image Resolution: 1280x1024
 Scan Date/Time: 12/08/2015 11:26:57
 User ID: Admin

Page 1



Edward Pryor and Son Ltd.
 Egerton Street, Sheffield, South Yorkshire, S1 4JX, UK
 +44 (0)114 276 6044
 info@pryormarking.com
 Company number: 313230

www.pryormarking.com